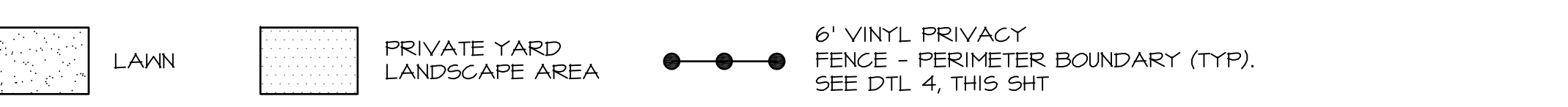


# PLANT PALETTE

SYM	COMMON NAME	BOTANICAL NAME	INSTALLATION SIZE	SIZE AT MATURITY
<b>EVERGREEN TREES</b>				
●	BLACK HILLS SPRUCE	PICEA GLAUA 'DENSATA'	6-8' HT B4B	35' HT X 25' W
●	FAT ALBERT SPRUCE	PICEA FUNGENS 'FAT ALBERT'	6-8' HT B4B	15' HT X 10' W
●	NORWAY SPRUCE	PICEA ABIES	6-8' HT B4B	50' HT X 25' W
●	VANDERWOLFS PINE	PINUS FLEXILIS 'VANDERWOLFS'	6-8' HT B4B	20' HT X 15' W
<b>SHADE TREES (CLASS II &amp; III)</b>				
○	AUTUMN PURPLE ASH	FRAXINUS AMERICANA 'JUNGINGER'	2' GAL B4B	40' HT X 30' W
○	SKYLINE HONEYLOCUST	GLEDITSIA TRIACANTHOS 'SKYCOLE'	2' GAL B4B	45' HT X 30' W
○	LONDON PLANETREE	PLATANUS X ACERIFOLIA 'BLOODGOOD'	2' GAL B4B	50' HT X 40' W
○	OCTOBER GLORY MAPLE	ACER RUBRUM 'OCTOBER GLORY'	2' GAL B4B	50' HT X 45' W
○	TULIP TREE	LIRIODENDRON TULIPIFERA	2' GAL B4B	40' HT X 35' W
<b>ORNAMENTAL TREES (CLASS I)</b>				
○	CHANTICLEER PEAR	PYRUS CALLERYANA 'GLEN'S FORM'	2' GAL B4B	25' HT X 15' W
○	FLAME GINNALA MAPLE	ACER GINNALA 'FLAME'	8'-10' HT B4B CLUMP	15' HT X 15' W
○	ROYAL RAINDROPS CRABAPPLE	MALUS X 'FIS-KIKE'	2' GAL B4B	20' HT W 15' W
○	SPRING SNOW CRABAPPLE	MALUS X 'SPRING SNOW'	2' GAL B4B	25' HT X 20' W
○	MILKY WAY SELECT DOGWOOD	CORNUS KOUSA 'MILKY WAY SELECT'	2' GAL B4B	15' HT X 15' W
<b>SHRUBS/ORNAMENTAL GRASSES/PERENNIALS</b>				
■	BLACK EYED SUSAN	RUDBECKIA FULGIDA 'GOLDSTRUM'	1 GAL, 24" O.C.	2' HT X 3' W
■	BLUE RUS JUNIPER	JUNIPERUS HORIZONTALIS 'WILTON'	2 GAL	1' HT X 3' W
■	CREeping MAHONIA	MAHONIA REPENS	3 GAL	1' HT X 2' W
■	DWARF FOUNTAIN GRASS	PENNISETUM ALOPECUROIDES 'HAEMEL'	3 GAL	5' HT X 6' W
■	DARTS GOLD NINEBARK	PHYSOCARPUS OPULIFOLIUS 'DARTS GOLD'	1 GAL	15' HT X 2' W
■	STELLA D'ORO DAYLILY	HEMEROCALLIS 'STELLA D'ORO'	3 GAL	15' HT X 4' W
■	EMERALD 'N' GOLD EUONYMUS	EUONYMUS FORTUNEI 'EMERALD 'N' GOLD'	3 GAL	35' HT X 4.5' W
■	ENDLESS SUMMER HYDRANGEA	HYDRANGEA ARBORESCENS 'PIHM-I'	5 GAL	2' HT X 3' W
■	RED FLOWER CARPET ROSE	ROSA 'FLOWER CARPET-NOARE'	1 GAL	15' HT X 15' W
■	FRANKEE HOSTA	HOSTA 'FRANKEE'	5 GAL	6' HT X 2.5' W
■	FINE LINE BUCKTHORN	RHAMNUS FRAGULA 'RON WILLIAMS'	5 GAL	2.5' HT X 6' W
■	GRO-LOX SUMAC	RHUS ARMATICATA 'GRO-LOX'	5 GAL	4' HT X 2' W
■	IVORY HALO DOGWOOD	CORNUS ALBA 'BAIHALO'	5 GAL	3' HT X 3' W
■	KARL FOERSTER REED GRASS	CALAMAGROSTIS ARUNDINACEA 'K.F.'	1 GAL	4' HT X 2' W
■	LITTLE DEVIL NINEBARK	PHYSOCARPUS OPULIFOLIUS 'DONNA MAY'	5 GAL	5' HT X 5' W
■	MUGO PINE	PINUS MUGO PUMILIO 'MOPS'	5 GAL	4' HT X 6' W
■	OTTO LUTKEN LAUREL	PRUNUS LAUROCERASUS 'OTTO LUTKEN'	5 GAL	4' HT X 4' W
■	PJM RHODODENDRON	RHODODENDRON 'PJM'	5 GAL	12' HT X 3' W
■	SKY HIGH JUNIPER	JUNIPERUS SCOPULORUM 'BALLIGH'	5 GAL	6' HT X 6' W
■	SUMMERINE NINEBARK	PHYSOCARPUS OPULIFOLIA 'SEWARD'	5 GAL	5' HT X 3' W
■	MAIDEN GRASS	MISCANTHUS SINENSIS 'GRACILLIMUS'	1 GAL	5' HT X 3' W

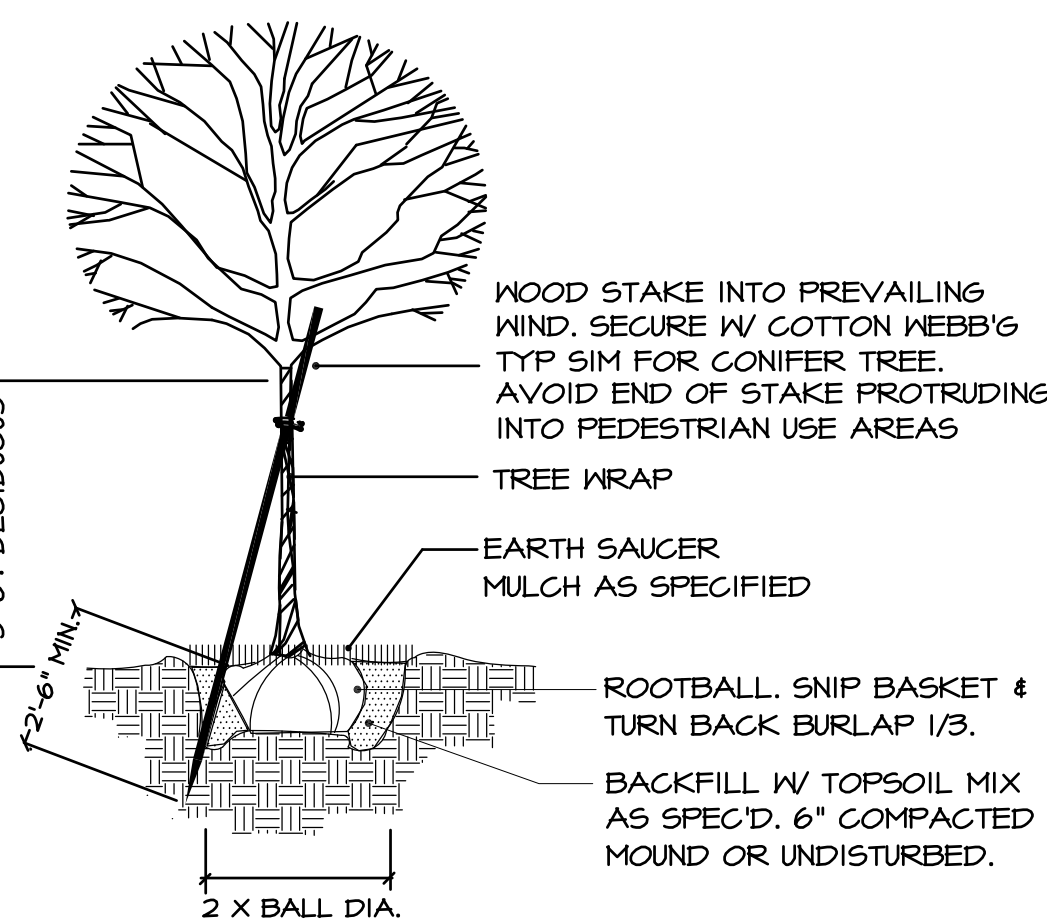
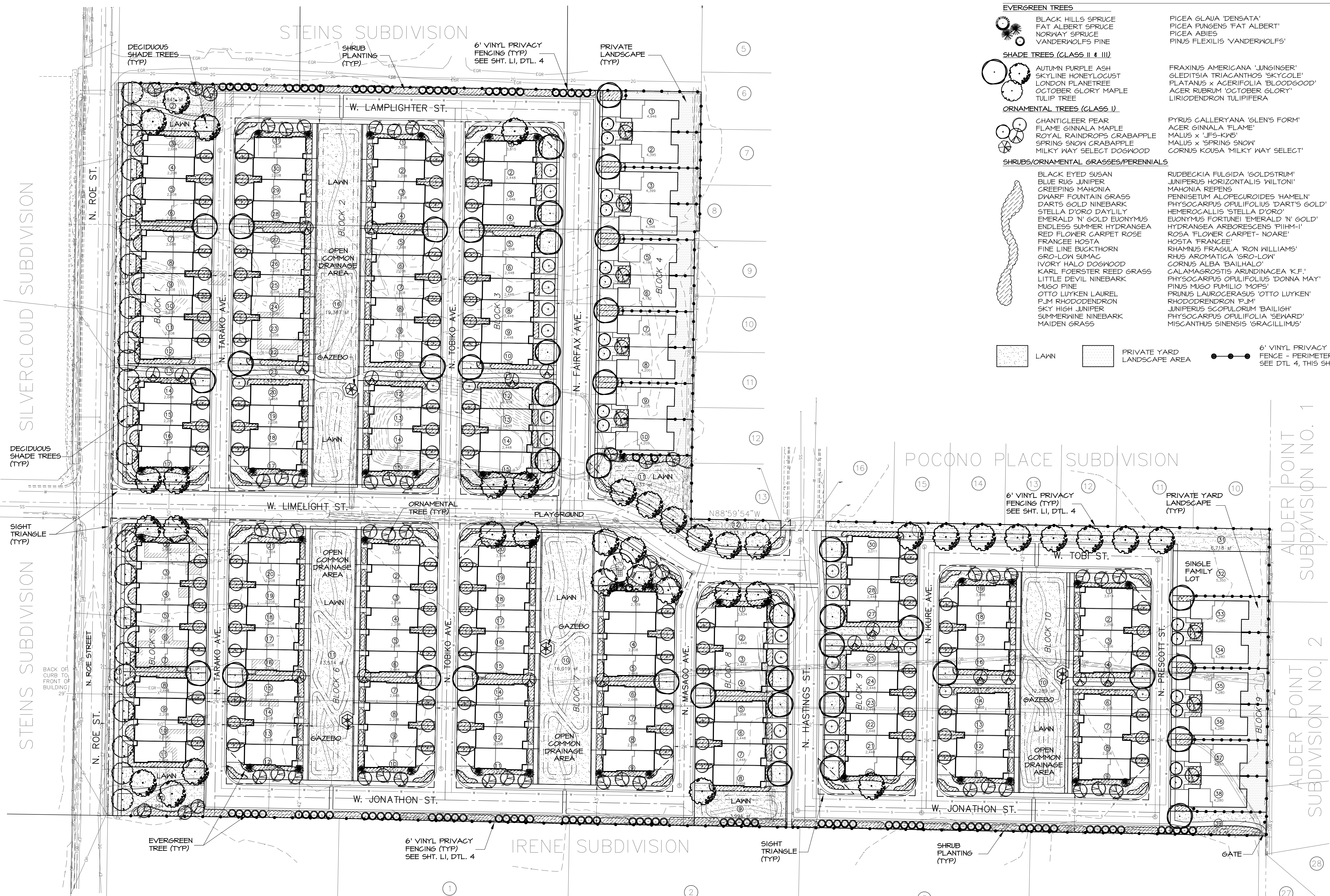


## NOTES

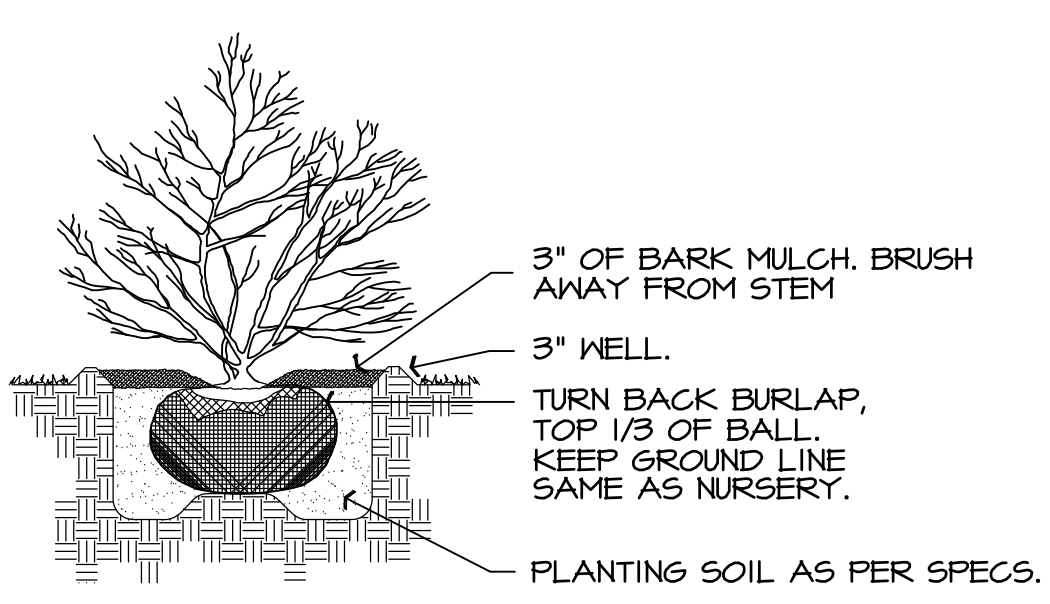
- ALL PLANTING AREAS TO BE WATERED WITH AN AUTOMATIC UNDERGROUND IRRIGATION SYSTEM.
- ALL LANDSCAPE SHALL BE INSTALLED IN ACCORDANCE WITH BOISE CITY LANDSCAPE ORDINANCE. THERE ARE NO EXISTING TREES ON SITE.
- TREES SHALL NOT BE PLANTED WITHIN THE 10'-CLEAR ZONE OF ALL ACHD STORM DRAIN PIPE, STRUCTURES, OR FACILITIES. SEEPAGE BEDS MUST BE PROTECTED FROM ANY AND ALL CONTAMINATION DURING THE CONSTRUCTION AND INSTALLATION OF THE LANDSCAPE IRRIGATION SYSTEM.
- NO TREES SHALL IMPEDE THE 40' STREET AND DEPARTURE VISION TRIANGLES AT ALL INTERSECTIONS. NO CONIFEROUS TREES OR SHRUBS OVER 9' HIGH AT MATURITY WILL BE LOCATED WITHIN VISION TRIANGLE OR ACHD ROW. AS TREES MATURE, THE OWNER SHALL BE RESPONSIBLE FOR PRUNING TREE CANOPIES TO MEET ACHD REQUIREMENTS FOR MAINTAINING CLEAR VISIBILITY WITHIN 40' STREET AND DEPARTURE VISION TRIANGLE.
- TREES SHALL BE PLANTED NO CLOSER THAN 50' FROM STOP SIGNS.
- TREES SHALL NOT BE PLANTED WITHIN 5' OF WATER METERS OR UTILITY LINES.

## LANDSCAPE CALCULATIONS

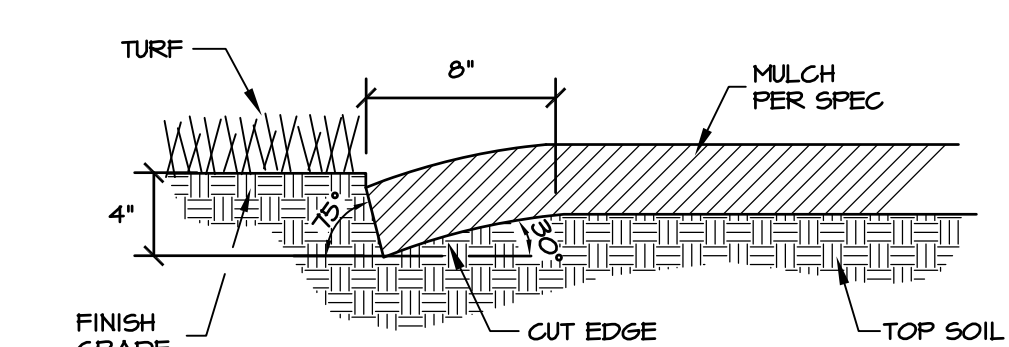
LOCATION	BUFFER WIDTH	LENGTH	REQUIRED	PROVIDED
ROE STREET	15'	766' / 35' =	22 TREES	22 TREES
TOTAL SITE AREA:			17.14 ACRES	
COMMON AREA:			2.61 ACRES (15.2%)	



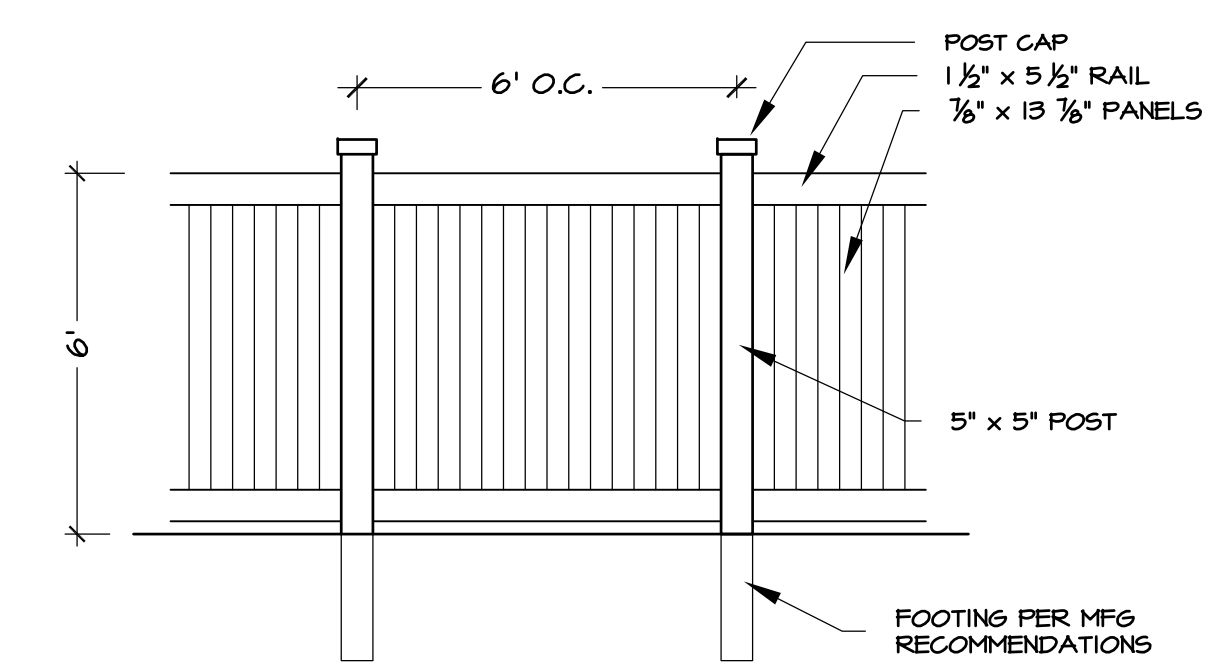
1 TREE PLANTING/STAKING NOT TO SCALE



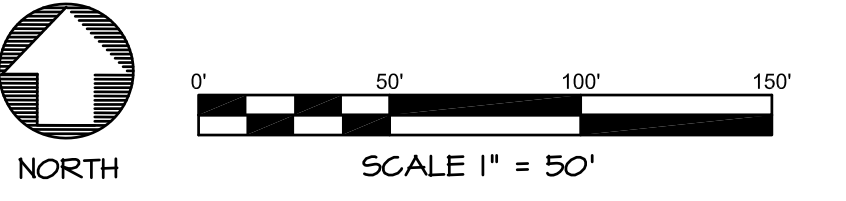
2 SHRUB PLANTING NOT TO SCALE



3 PLANTER CUT BED EDGE NOT TO SCALE



4 6' VINYL PRIVACY FENCING NOT TO SCALE



**REVISED**  
 NO. DATE DESCRIPTION  
 \_\_\_\_\_  
 \_\_\_\_\_  
**Bailey Engineering, Inc.**  
 CIVIL ENGINEERING | PLANNING | CADD  
 4242 N. BROOKSIDE LANE TEL: 208-958-0013  
 BOISE, ID 83714 WWW.BAILEYENGINEERING.COM  
 DRAWN BY: JUN | CHECKED BY: KCS PROJECT: C2016-004 DATE: 07-26-2016  
**PRELIMINARY PLAT LANDSCAPE PLAN**  
 ROE STREET TOWNHOMES SUBDIVISION SHEET  
 TRILOGY DEVELOPMENT, INC. 11